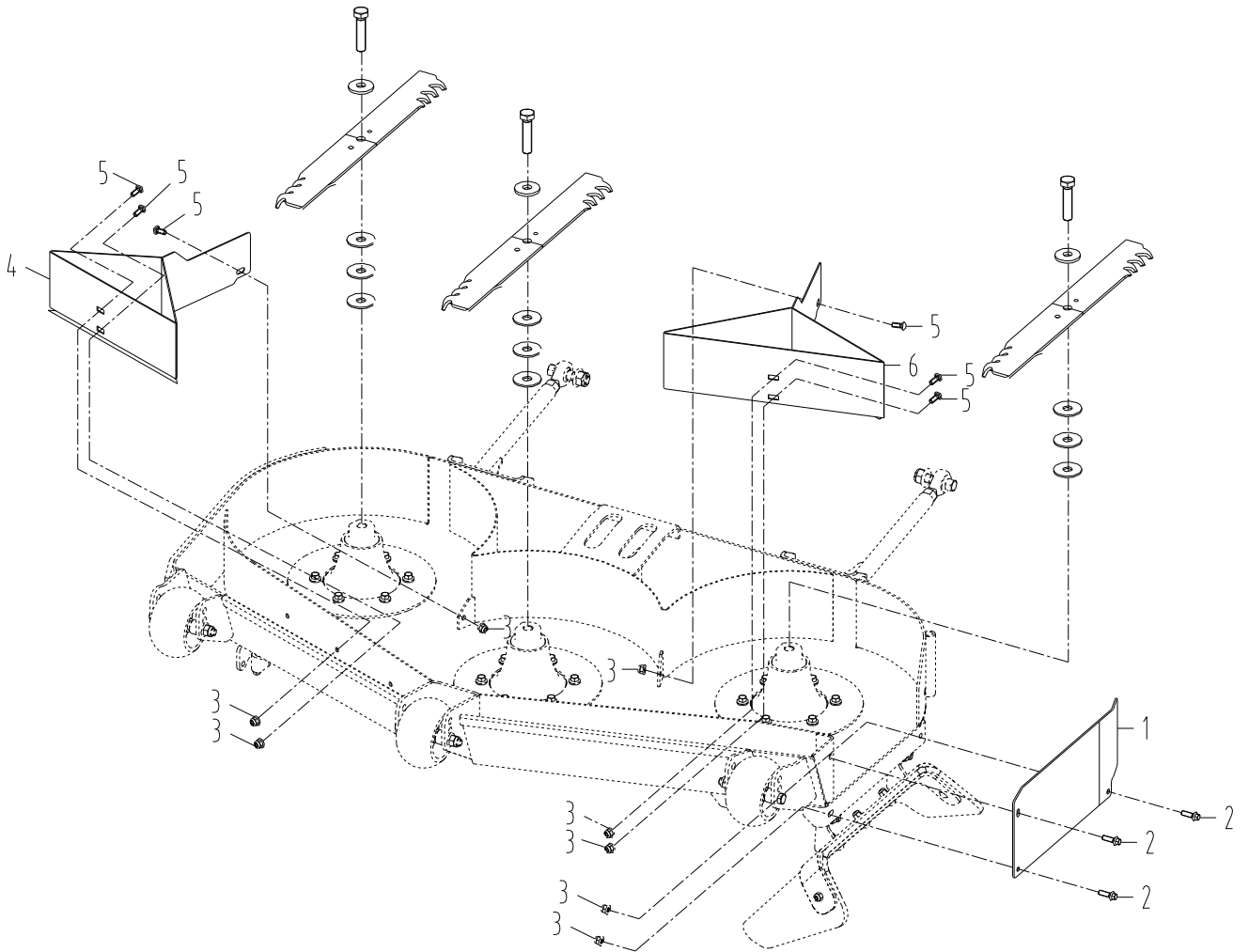


52" Mulching kits



52'' Mulching kits

ITEM NO.	PART NO.	DESCRIPTION	QTY
1	3330042337	Mulch Skirt *	1
2	3220241523	Bolt, Hex Flange M8x25	3
3	3220051522	Nut , M8 Nylock Flanged	8
4	3320101522	Asm,Mulch Baffle LH *	1
5	3220501523	Bolt ,Carriage,M8x20	6
6	3320111522	Asm, Mulch Baffle RH *	1
	8100402	52WMB, 52'' wavy mulch blade *	3
*	Indicates	Replacement Part Available	

Installation Instructions

52" Mulch Kit, 8252MC

(ERP-7403502)



Step 1 – Verify contents of the mulch kit to prepare for installation.

Step 2 – Remove mower discharge chute and retain for reinstallation as needed.

Step 3 – Remove mower blades (3) and retain hardware for reinstallation.

Step 4 – Install LH mulch baffle using (3) M8x20 carriage bolts and (3) M8 Nylock flanged nut.

Step 5 – Install RH mulch baffle using (3) M8x20 carriage bolts and (3) M8 Nylock flanged nut.

Step 6 – Install mulch skirt using (1) M8x20 carriage bolt with M8 Nylock flanged nut and (3) M8x25 Hex flange bolt with (3) M8 Nylock flanged nut.

Step 7 – Install supplied blades using blade hardware removed in step 3.

