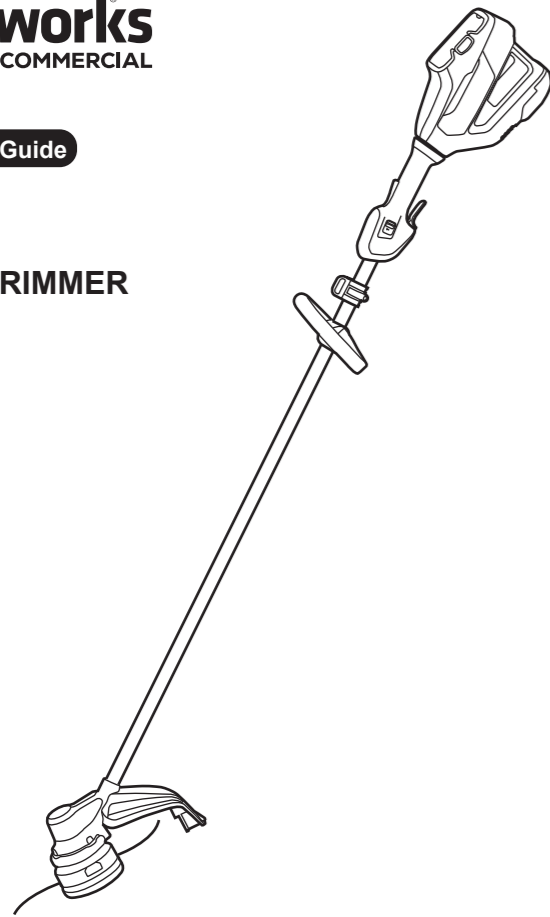
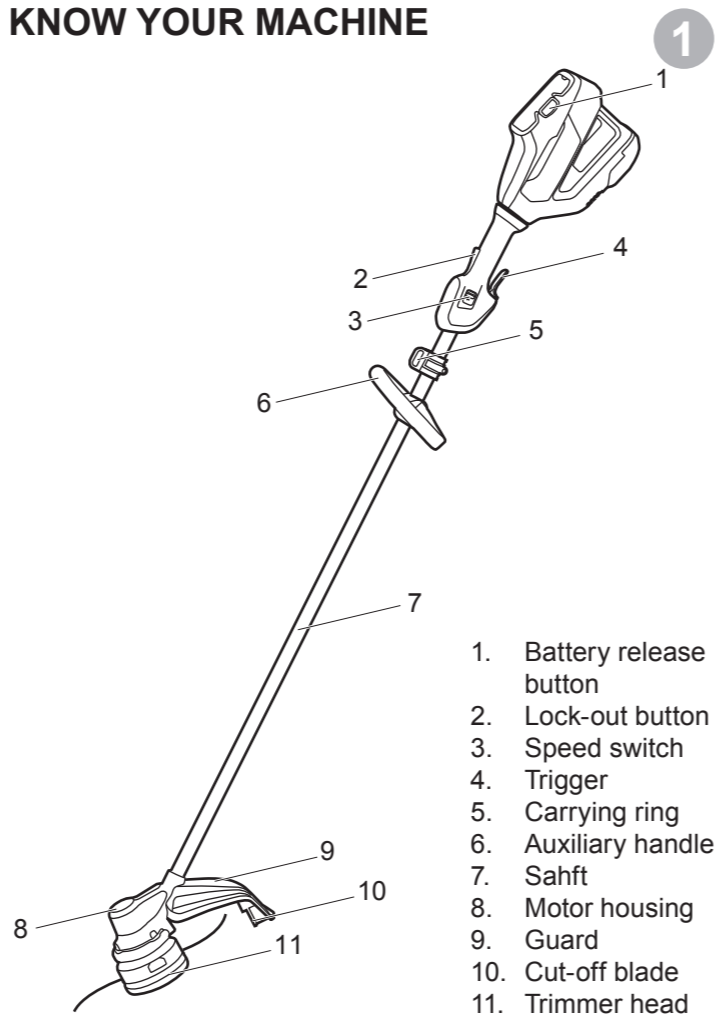


**82V
STRING TRIMMER**



Depending on the model purchased, packaging will contain different accessories and parts. Refer to the package for more details.

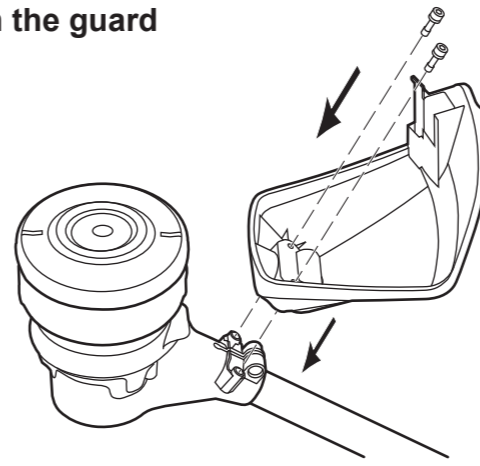
KNOW YOUR MACHINE



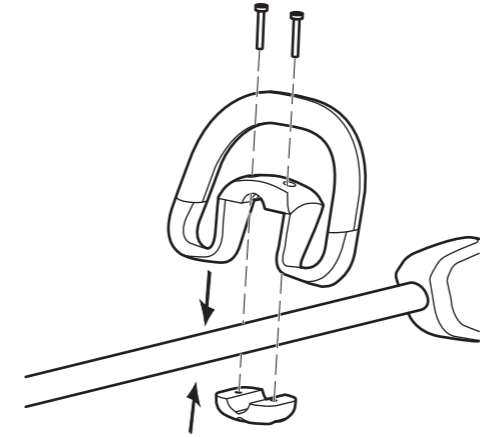
1. Battery release button
2. Lock-out button
3. Speed switch
4. Trigger
5. Carrying ring
6. Auxiliary handle
7. Shaft
8. Motor housing
9. Guard
10. Cut-off blade
11. Trimmer head

INSTALLATION

Attach the guard

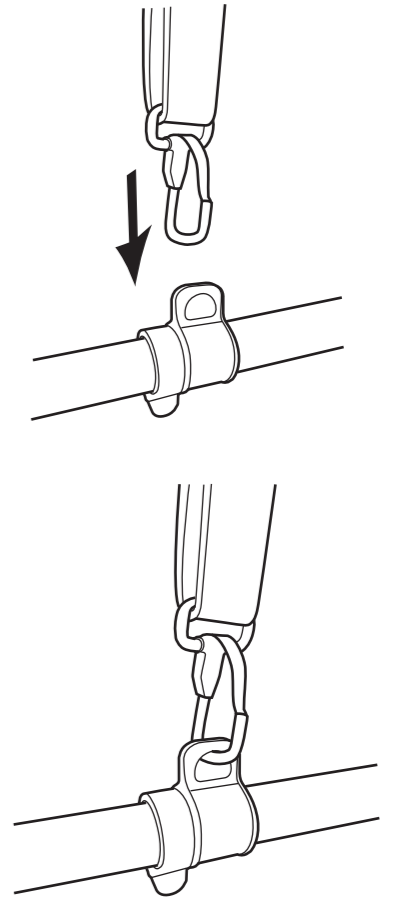


Attach the auxiliary handle



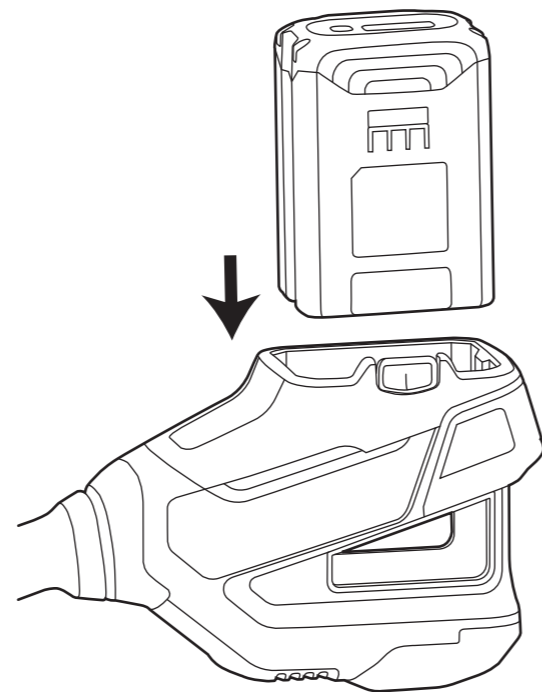
2

Attach the shoulder strap



3

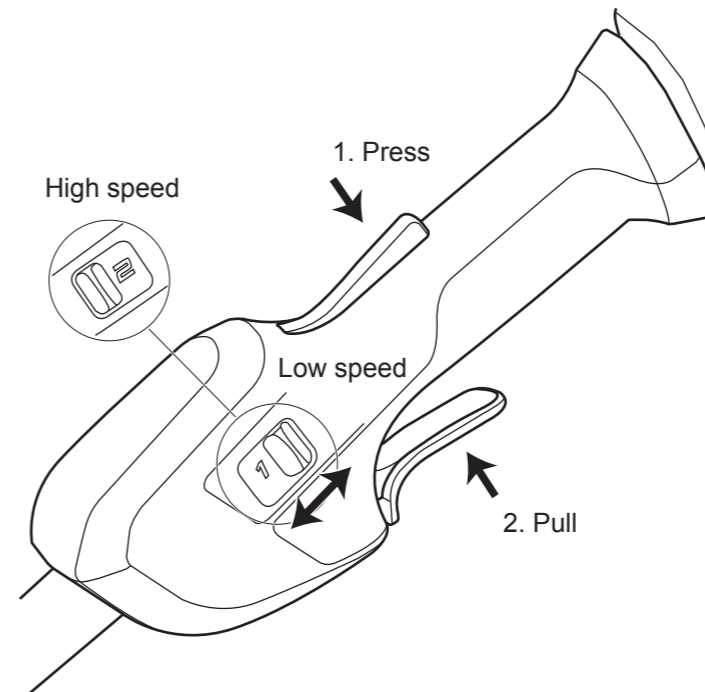
Install the battery



4

OPERATION

Start the machine / Adjust the speed



5

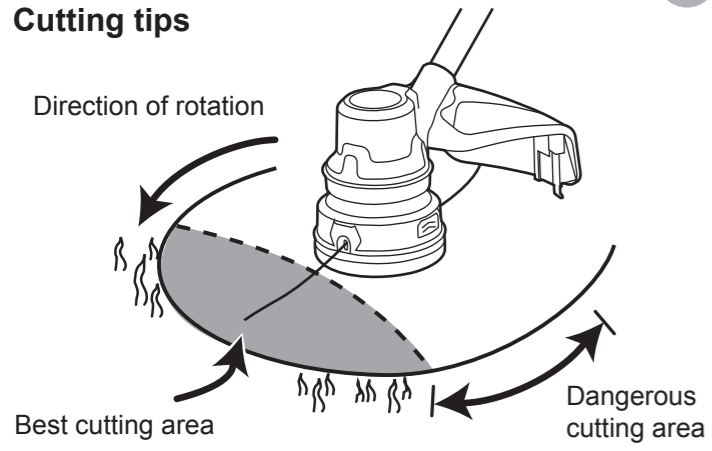
Operation tips



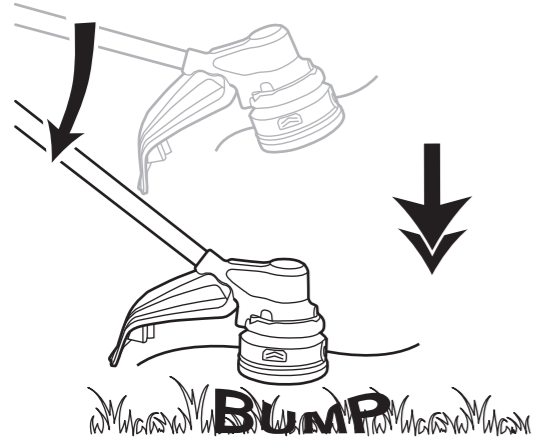
6



Cutting tips



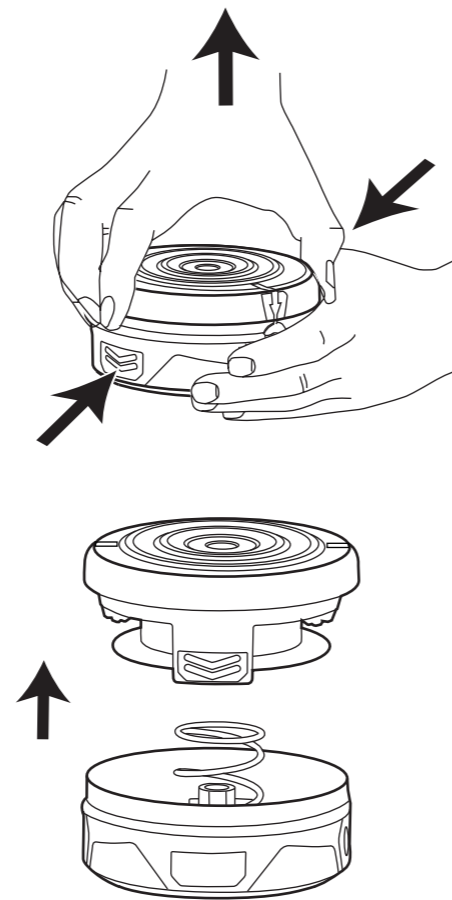
Adjust the length of the cutting line



7

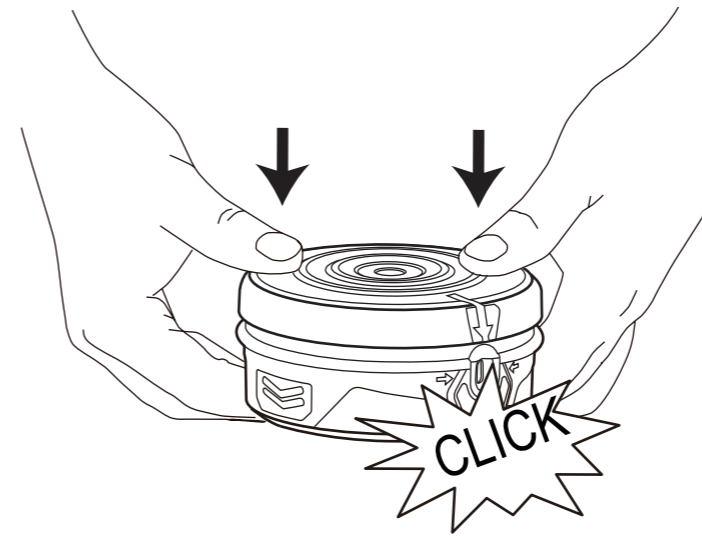
MAINTENANCE

Remove the remaining line

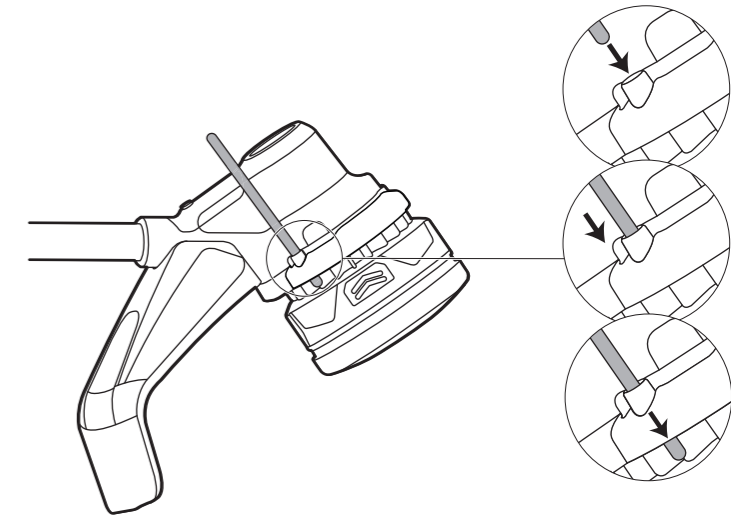


8

9



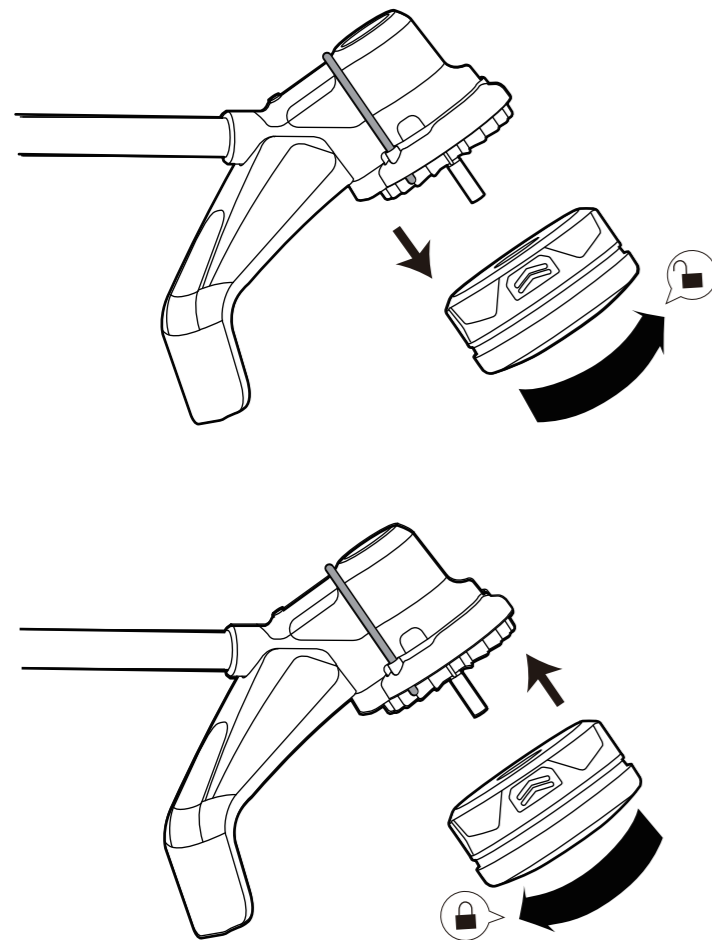
Replace the trimmer head



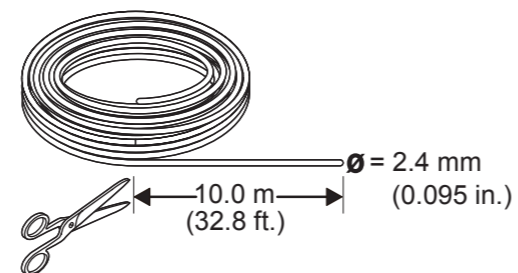
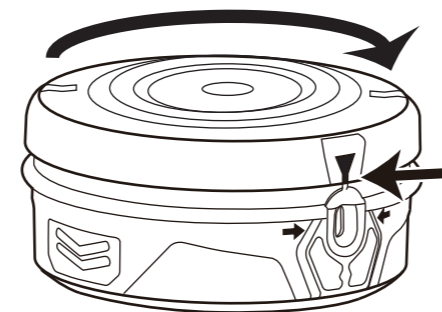
10

11

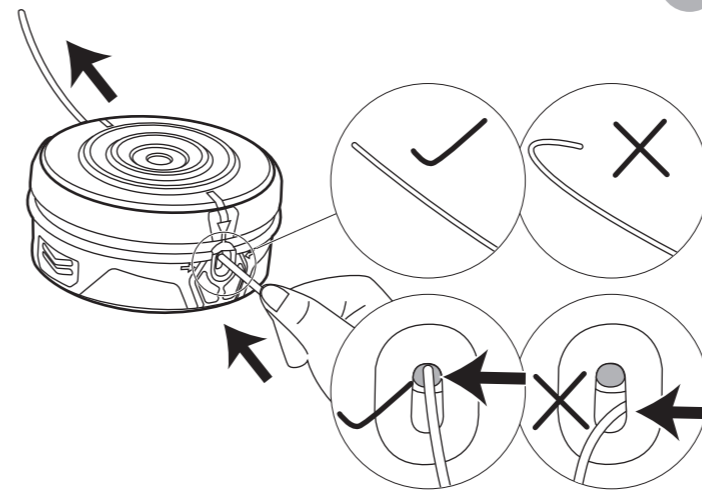
Install the cutting line



12



13



14

