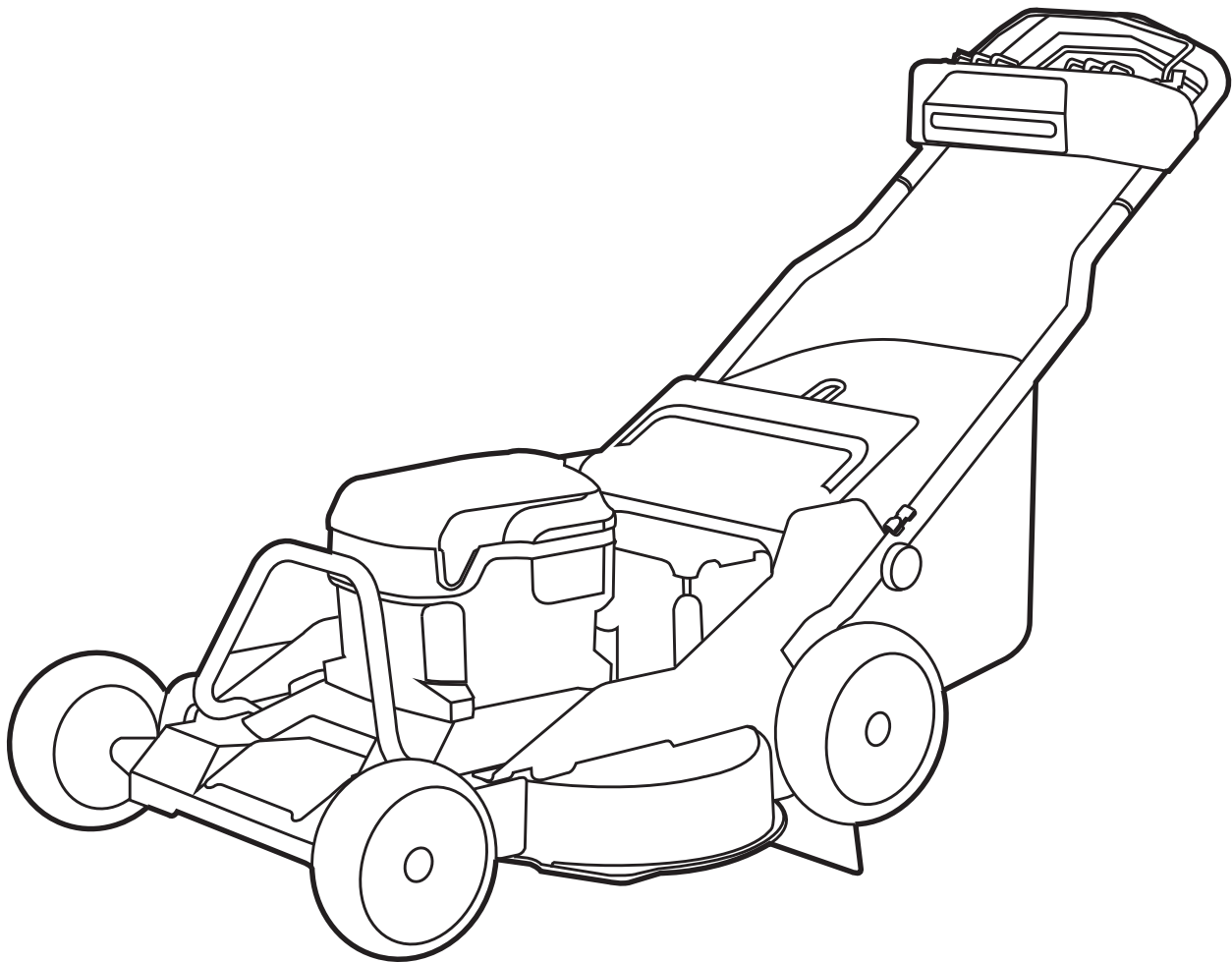


greenworks[®]

COMMERCIAL

82LM30S

EN	LAWN MOWER	OPERATOR MANUAL
FR	TONDEUSE	MANUEL D'OPÉRATEUR
ES	CORTACÉSPED	MANUAL DEL OPERADOR



LMB40005

commercial.greenworkstools.com
www.shopgreenworksgear.com

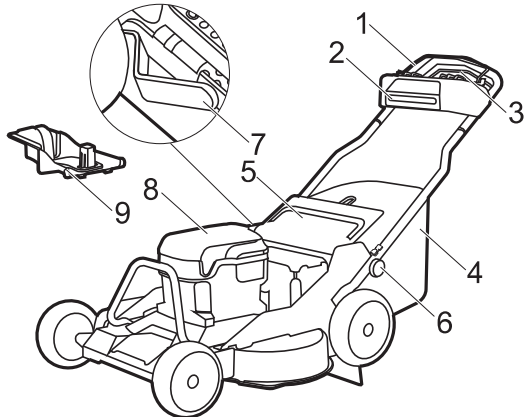
1	Description.....	2	7.8	Remove the battery pack.....	10
1.1	Purpose.....	2	8	APP operation.....	10
1.2	Overview.....	2	8.1	Registration and Login.....	10
1.3	Overview for panel.....	2	9	Operation.....	10
2	Read all instructions.....	2	9.1	Start the machine.....	11
2.1	Children and Bystanders.....	2	9.2	Stop the machine.....	11
2.2	General Operation.....	2	9.3	Adjusting the cutting speed.....	11
2.3	Slope Operation.....	4	9.4	Operate the self-propel drive system.....	11
2.4	Service/Maintenance.....	5	9.5	Adjusting the drive speed.....	12
2.5	Lawn mower safety warnings.....	5	9.6	LED Headlights.....	12
3	Symbols on the product.....	6	9.7	Empty the grass catcher.....	12
4	Risk levels.....	6	9.8	Operate on slopes.....	13
5	Environmentally safe battery disposal.....	7	9.9	Operation tips.....	13
6	Proposition 65.....	7	10	Maintenance.....	13
7	Installation.....	7	10.1	General maintenance.....	13
7.1	Unpack the machine.....	8	10.2	Replace the blade.....	13
7.2	Install the handle.....	8	10.3	Store the machine.....	14
7.3	Unfold and install the handle.....	8	10.4	Vertical storage.....	14
7.4	Install the grass catcher.....	9	11	Troubleshooting.....	15
7.5	Install the mulch plug.....	9	12	Technical data.....	20
7.6	Set the cutting height.....	9	13	Limited warranty.....	20
7.7	Install the battery pack.....	10			

1 DESCRIPTION

1.1 PURPOSE

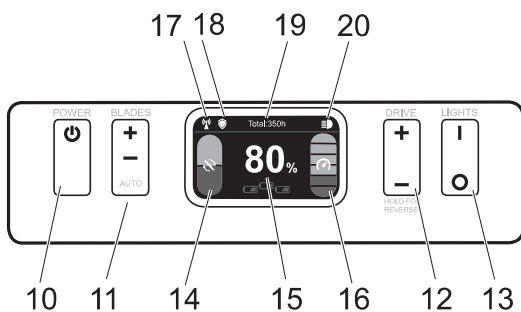
The lawn mower is intended for private use i.e. for use in home and gardening environments. The machine is primarily used to maintain small-scale, residential lawns and home/hobby gardens.

1.2 OVERVIEW



- 1 Bail switch
- 2 LED light
- 3 Self-propel drive lever
- 4 Grass catcher
- 5 Rear discharge door
- 6 Knob
- 7 Handle height adjustment
- 8 Battery door
- 9 Mulch plug

1.3 OVERVIEW FOR PANEL



- 10 Power switch
- 11 Cutting speed switch
- 12 Drive speed switch
- 13 LED switch
- 14 Cutting speed indicator
- 15 Battery indicator
- 16 Drive speed indicator
- 17 2G/4G connection

- 18 Security
- 19 Battery life indicator
- 20 LED indicator

2 READ ALL INSTRUCTIONS

⚠ DANGER

This machine was built to be operated according to the rules for safe operation included in this manual. As with any type of power equipment, carelessness or error on the part of the operator can result in serious injury. This machine is capable of amputating hands and feet and throwing objects. Failure to observe all safety instructions could result in serious injury or death.

⚠ WARNING

When using electric lawn mowers, basic safety precautions should always be followed to reduce the risk of fire, electric shock, and personal injury. These basic precautions include the following:

2.1 CHILDREN AND BYSTANDERS

Tragic accidents can occur if the operator is not alert to the presence of children or bystanders.

- Keep the area of operation clear of all persons, particularly small children, and pets.
- Use extreme care when approaching blind corners, doorways, shrubs, trees, or other objects that may obscure your vision of a child or bystander. Keep children, bystanders, helpers and pets at least 100 feet (30m) from the mower while it is in operation. Stop the machine if anyone enters the area.
- Never allow children under 14 years old to operate a power mower. Operators 14 years old and over should fully read and understand the operator's manual and safety rules. Only responsible individuals who are familiar with these rules of safe operation should be allowed to use this machine.

2.2 GENERAL OPERATION

- Read this operator's manual carefully in its entirety before assembling or operating this machine. Read, understand, and follow all instructions on the machine and in the manuals before operation. Familiarize yourself with the controls and proper use of this machine before operation. Save this manual for future and regular reference.
- Do not use the lawn mower for any job except that for which it is intended. Your lawn mower has been designed to perform only one job: cut grass.

- Never attempt to make a wheel height adjustment while the motor is running.
- Do not force the lawn mower; it will do the job better and more safely at the rate for which it was designed.
- Do not overreach, keep proper footing and balance at all times. Many injuries occur because of the mower being pulled over the foot during a fall caused by slipping or tripping. A slip and fall can cause serious personal injury. If you feel you are losing your footing, release the control handle immediately and the blade will stop rotating within three seconds.
- Thoroughly inspect the area where the mower is to be used and remove all stones, sticks, wires, dog bones, and other foreign objects.
- Prevent unintentional starting. Ensure the switch is in the off position before connecting to battery pack, picking up or carrying the mower. Carrying this unit with finger on switch when battery is inserted increases likelihood of accident.
- Never pull the mower back toward you while you are walking. If you must back the mower away from a wall or obstruction, first look down and behind you to avoid tripping, and then follow these steps:
 - Step back from the mower in order to fully extend your arms.
 - Be sure that you are well balanced.
 - Pull the mower back slowly.
- Use appliances only with specifically designated battery packs. Use of any other battery packs may create a risk of injury and fire. Recharge only with the charger specified by the manufacturer. A charger that is suitable for one type of battery pack may create a risk of fire when used with another battery pack.
- Remove the battery pack from the mower before making any adjustments, changing accessories, or storing appliance. Such preventive safety measures reduce the risk of starting the mower accidentally.
- Before and while moving backwards with the mower, look behind and down for small children and other people.
- Do not operate the mower while under the influence of alcohol or drugs. Stay alert and watch what you are doing at all times. Use common sense and do not operate the lawn mower when you are tired.
- Only allow operators, who are responsible, trained, familiar with the instructions, and physically capable to operate the machine.
- Do not carry passengers.
- Do not operate the machine without the entire grass catcher, discharge chute, or other safety devices in place and functioning properly. Check frequently for signs of wear or deterioration and replace as needed.
- Do not mow in reverse unless absolutely necessary.
- Always wear safety glasses or safety goggles during operation and while performing an adjustment or repair to protect your eyes. Thrown objects that ricochet can cause serious injury to the eyes. Always use a face or dust mask if the operation is dusty.
- Keep clear of the discharge opening at all times. Do not put hands or feet near rotating parts or under the cutting deck. Contact with the blade can amputate hands and feet.
- Plan your mowing pattern to avoid discharge of material toward roads, sidewalks, bystanders and the like. Also, avoid discharging material against walls or obstructions, which may cause discharged material to ricochet back toward the operator.
- To help avoid the blade or an injury from a thrown object, stay in the operator zone behind the handles.
- A missing or damaged discharge cover can cause blade contact or injuries from thrown objects.
- Objects struck by the lawn mower blade can cause severe injuries to persons. The lawn should always be carefully examined and cleared of all objects prior to each mowing.
- Stop the blade when crossing gravel drives, walks or roads.
- Follow all charging instructions and do not charge the battery pack or mower outside of the temperature range specified in the instructions. Charging improperly or at temperatures outside of the specified range may damage the battery and increase the risk of fire.
- If lawn mower strikes a foreign object, follow these steps:
 - Release the bail switch to disengage the motor.
 - Remove the battery.
 - Inspect for damage.
 - Repair any damaged parts before restarting and operating the lawn mower.
- Have servicing performed by a qualified repair person using only identical replacement parts. This will ensure that the safety of the product is maintained.
- Dress properly; do not wear loose clothing or jewelry that can be caught in moving parts. Use of protective gloves and footwear is recommended when working outdoors. Wear sturdy, rough-soled work shoes and close-fitting slacks and shirts and pants that cover the arms and legs and steel-toed shoes are recommended. Never operate this machine in bare feet, sandals, slippery or lightweight (e.g., canvas) shoes.

- Do not modify or attempt to repair the mower or the battery pack (as applicable) except as indicated in the instructions for use and care.
- Wear protective hair covering to contain long hair.
- Avoid dangerous environments; do not use the lawn mower in damp/wet locations or if it is raining.
- Store idle lawn mower indoors. When not in use, appliances should be stored indoors in dry, and high or locked-up place – out of reach of children. Always remove the battery from the mower before storing.
- Mow only in daylight or good artificial light. Walk, never run while operating.
- If the mower should start to vibrate abnormally, immediately stop the motor, remove the battery and check for the cause. Vibration is generally a warning that the mower is not functioning properly.
- Check bag frequently for deterioration and wear, and replace worn bags. Check that replacement bags comply with the original manufacturer's recommendations or specifications.
- Before cleaning the mower, unclogging or removing the grass bag, mulching insert, or side discharge chute, turn the motor off and wait until the blade comes to a complete stop, then remove the battery pack. The cutting blade continues to rotate for a few seconds after the motor is shut off. Never perform these functions until you are sure the blade has stopped rotating.
- Keep cutting edges clean and sharp to ensure best performance.
- Periodically inspect safety devices and cords for damage. If damaged do not operate the unit until it has been repaired by an authorized service professional.
- Never operate the mower without the proper discharge cover, grass bag, mulching insert, side discharge chute, or other safety devices in place and working. Never operate the mower with damaged safety devices. Failure to do so can result in personal injury.
- Use only approved batteries and chargers. Non-approved batteries and chargers may cause damage to the mower or injure the operator.
- Do not dispose of the battery in a fire. The cells could catch fire or explode. Check with local codes and waste management for proper disposal instructions.
- When battery pack is not in use, keep it away from other metal objects, like paper clips, coins, keys, nails, screws or other small metal objects that can make a connection from one terminal to another. Shorting the battery terminals together may cause burns or a fire.
- Do not open or destroy the battery. Electrolytes contained within the battery are corrosive and may cause damage to eyes or skin if released. It may be toxic if swallowed.
- Under abusive conditions, liquid may be ejected from the battery; avoid contact. If contact accidentally occurs, flush with water. If liquid contacts eyes, additionally seek medical help. Liquid ejected from the battery may cause irritation or burns.
- Do not expose a battery pack or appliance to fire or excessive temperature. Exposure to fire or temperature above 130°C may cause explosion.
- Exercise care in handling batteries to avoid shorting the battery with conducting materials such as rings, bracelets, keys, etc. The battery or conductor may overheat and cause burns if contact with said materials is made.
- Do not use a battery pack or appliance that is damaged or modified. Damaged or modified batteries may exhibit unpredictable behavior resulting in fire, explosion or risk of injury.
- This appliance is not intended for use by persons with reduced physical, sensory or mental capabilities or lack of experience or knowledge, unless they have been given supervision or instruction concerning use of the appliance by a person responsible for their safety.

2.3 SLOPE OPERATION

Slopes are a major factor related to slip-and-fall accidents, which can result in severe injury. Operation on slopes requires extra caution. If you feel uneasy on a slope, do not mow it.

Do:

- Mow across the face of slopes; never mow up and down. Exercise extreme caution when changing direction on slopes.
- Watch for holes, roots, rocks, hidden objects, or bumps which can cause you to slip or trip. Tall grass can hide obstacles. Remove all obstacles such as rocks and tree limbs.
- Make sure that your footing is stable. If you are out of balance, release the switch immediately.

Do not:

- Mow excessively steep slopes.
- Mow near drop-offs, ditches or embankments; you could lose your footing or balance.
- Mow slopes greater than 15 degrees.
- Mow on wet grass. Unstable footing could cause slipping.

⚠ WARNING

Do not mow on the slopes with incline more than 15°. If you are not comfortable, do not mow on a slope.

i TIP

In case of self-propelled mowers, please keep a low self-propelled speed when you mow on a slope.

2.4 SERVICE/MAINTENANCE

- Check the blade and the motor (machine) mounting bolts at frequent intervals for proper tightness.
- Replace the blade if it is bent or cracked. An unbalanced blade causes vibration that could damage the motor drive unit or cause personal injury.
- Keep all nuts, bolts, and screws tight in order to ensure the equipment is in safe working condition.
- Do not wash with a hose; avoid getting water in motor and electrical connections.
- Never remove or tamper with safety devices. Check their proper operation regularly. Never do anything to interfere with the intended function of a safety device or to reduce the protection provided by a safety device.
- Keep mower free of grass, leaves, or other debris build up. Allow mower to cool before storing.
- Never make any adjustments or repairs with the motor running.
- Always remove battery pack from mowers before adjusting, cleaning, or repairing.
- Check grass catcher components and the discharge guard frequently and replace with manufacturer's recommended parts, when necessary.
- Sharpen a dull blade equally at each end to maintain the balance.
- Keep guards in place and in working order. Mower blades are sharp, and can cut. Wrap the blades or wear gloves, and use extra caution when servicing.
- Clean the blade thoroughly and check its balance by supporting it horizontally on a thin nail through its center hole. The nail should also be in a horizontal position. If either end of the blade rotates downward, remove some metal from the heavy or lower end until the blade is balanced. It is balanced when neither end drops.
- Use identical replacement blades only.
- Maintain lawn mower with care. Keep cutting edges sharp and clean for best and safest performance. Follow instructions for lubricating and changing accessories. Inspect lawn mower cord periodically

and if damaged, have it repaired by an authorized service facility.

- If situations occur that are not covered in this manual, use care and good judgment or contact Customer Service for assistance.
- Never operate the mower without proper guards, plates, or other safety protective devices in place.
- Before each use, examine the machine for damaged, missing, or loose parts such as screws, nuts, bolts and caps.
- Tighten correctly all the fasteners and caps.
- Clean the machine with a dry cloth. Do not use water.

The recommended ambient temperature range:

Item	Temperature
Mower storage temperature range	32°F (0°C) - 113°F (45°C)
Mower operation temperature range	32°F (0°C) - 113°F (45°C)
Battery charging temperature range	39°F (4°C) - 104°F (40°C)
Charger operation temperature range	39°F (4°C) - 104°F (40°C)
Battery storage temperature range	32°F (0°C) - 113°F (45°C)
Battery discharging temperature range	32°F (0°C) - 113°F (45°C)

2.5 LAWN MOWER SAFETY WARNINGS





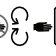





- Before using, always visually inspect to see that the blade, blade bolt and the blade assembly are not worn or damaged. Replace worn or damaged components in sets to preserve balance. Replace damaged or unreadable labels.
- Do not mow excessively steep slopes.
- Stop the blade(s) if the machine has to be tilted for transportation when crossing surfaces other than grass, and when transporting the machine to and from the area to be used.
- Switch on the motor carefully according to instructions and with feet well away from the blade(s).
- Do not tilt the machine when switching on the motor, except if the machine has to be tilted for starting. In this case, do not tilt it more than absolutely necessary and lift only the part, which is away from the operator.
- Do not start the machine when standing in front of the discharge opening.

- Do not transport the machine while the power source is running.
- Stop the machine, remove the disabling device and battery pack. Make sure that all moving parts have come to a complete stop
 - whenever you leave the machine;
 - before clearing blockages or unclogging chute;
 - before checking, cleaning or working on the machine;
 - after striking a foreign object. Inspect the machine for damage and make repairs before restarting and operating the machine.
- Keep all nuts, bolts and screws tight to be sure the machine is in safe working condition.
- On machines with multi blade, take care as rotating one blade can cause other blades to rotate.
- Be careful during adjustment of the machine to prevent entrapment of the fingers between moving blades and fixed parts of the machine.
- Always allow the machine to cool down before storing.
- When servicing the blades be aware that, even though the power source is switched off, the blades can still be moved.

3 SYMBOLS ON THE PRODUCT




Some of the following symbols may be used on this mower. Please study them and learn their meaning. Proper interpretation of these symbols will allow you to operate the mower better and safer.

Sym- bol	Name	Explanation
V	Volt	Voltage
A	Amperes	Current
Hz	Hertz	Frequency (cycles per second)
W	Watt	Power
min	Minutes	Time
/min	Per Minute	Revolutions, strokes, surface speed, orbits etc., per minute
~	Alternating Current	Type of current
≡	Direct Current	Type or a characteristic of current
n_0	No Load Speed	Rotational speed, at no load

Sym- bol	Name	Explanation
	Safety Alert	Precautions that involve your safety.
	Eye Protection	Always wear eye protection with side shields marked to comply with ANSI Z87.1 when operating this equipment.
	WARNING --- Wet Conditions	Do not expose the product to rain or moist conditions.
	Read Operator's Manual	To reduce the risk of injury, user must read and understand operator's manual before using this product.
	Maintain Safety Devices	Do not open or remove safety devices while the tool is running.
	Look Behind While Backing	Look down and behind first to avoid tripping when pulling back.
	DANGER --- Keep Hands and Feet Away	To reduce the risk of injury, keep hands and feet away from rotating parts. Do not operate unless discharge cover or grass bag is in its proper place. If damaged, replace immediately.
	DANGER --- Keep Bystanders Away	All visitors should be kept at a distance from work area.
	DANGER --- Thrown Debris	Remove objects that can be thrown by the blade in any direction. Wear safety glasses.
	DANGER --- Steep Slope Hazard	Use extra caution on slopes. do not mow slopes greater than 15 degrees.

4 RISK LEVELS

The following signal words and meanings are intended to explain the levels of risk associated with this product.

SYM-BOL	SIGNAL	MEANING
	DANGER	Indicates an imminent-ly hazardous situation, which, if not avoided, will result in death or serious injury.
	WARNING	Indicates a potential-ly hazardous situation, which, if not avoided, could result in death or serious injury.
	CAUTION	Indicates a potential-ly hazardous situation, which, if not avoided, may result in minor or moder-ate injury.
	CAUTION	(Without Safety Alert Symbol) Indicates a situa-tion that may result in property damage.

5 ENVIRONMENTALLY SAFE BATTERY DISPOSAL



The toxic and corrosive materials below are in the batteries used in this machine: **Lithium-ion, a toxic material.**

⚠ WARNING

Discard all toxic materials in a specified manner to prevent contamination of the environment. Before discarding damaged or worn out Lithium-ion battery, contact your local waste disposal agency, or the local Environmental Protection Agency for information and specific instructions. Take the batteries to a local recycling and/or disposal center, certified for Lithium-ion disposal.

⚠ WARNING

If the battery pack cracks or breaks, with or without leaks, do not recharge it and do not use. Discard it and replace with a new battery pack. **DO NOT TRY TO REPAIR IT!** To prevent injury and risk of fire, explosion, or electric shock, and to avoid damage to the environment:

- Cover the terminals of the battery with heavy-duty adhesive tape.
- **DO NOT** try to remove or destroy any of the battery pack components.
- **DO NOT** try to open the battery pack.
- If a leak develops, the released electrolytes are corrosive and toxic. **DO NOT** get the solution in the eyes or on skin, and do not swallow it.
- **DO NOT** put these batteries in your regular household trash.
- **DO NOT** incinerate.
- **DO NOT** put them where they will become part of any waste landfill or municipal solid waste stream.
- Take them to a certified recycling or disposal center.

6 PROPOSITION 65

⚠ WARNING

This product contains a chemical known to the state of California to cause cancer, birth defects or other reproductive harm. Some dust created by power sanding, sawing, grinding, drilling, and other construction activities contains chemicals known to cause cancer, birth defects or other reproductive harm. Some examples of these chemicals are:

- Lead from lead-based paints;
- Crystalline silica from bricks and cement and other masonry products;
- Arsenic and chromium from chemically treated lumber.

Your risk of exposure to these chemicals varies depending on how often you do this type of work. To reduce your exposure to these chemicals, work in a well-ventilated area, and work with approved safety equipment, such as dust masks that are specially designed to filter out microscopic particles.

Save these instructions.

7 INSTALLATION

⚠ WARNING

Do not use accessories that are not recommended by the manufacturer.

⚠ WARNING

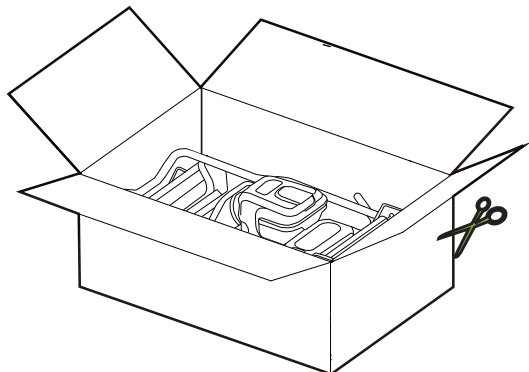
Do not put in the safety key or the battery pack until you finalized the assembly of all the parts.

7.1 UNPACK THE MACHINE**⚠ WARNING**

Make sure that you correctly assemble the machine before use.

⚠ WARNING

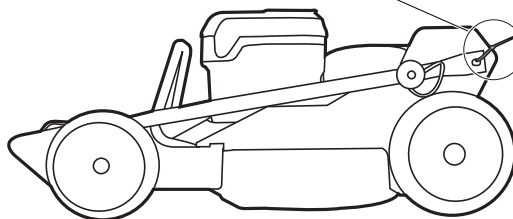
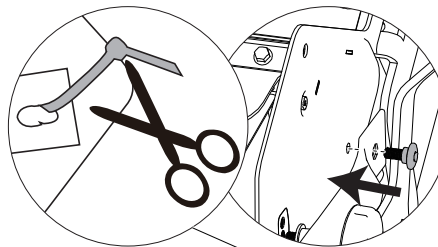
- If parts of the machine are damaged, do not use the machine.
- If parts are missing, do not operate the machine.
- If parts are damaged or missing, contact the service center.



1. Open the package.
2. Read the documentation provided in the box.
3. Discard cardboard corner from the box.
4. Discard cardboard surrounded the mower from the box.
5. Remove the grass catcher from the carton.
6. Cut open the rear corners of the carton, nearest the back of the mower.
7. Remove the mower from the carton.

⚠ WARNING

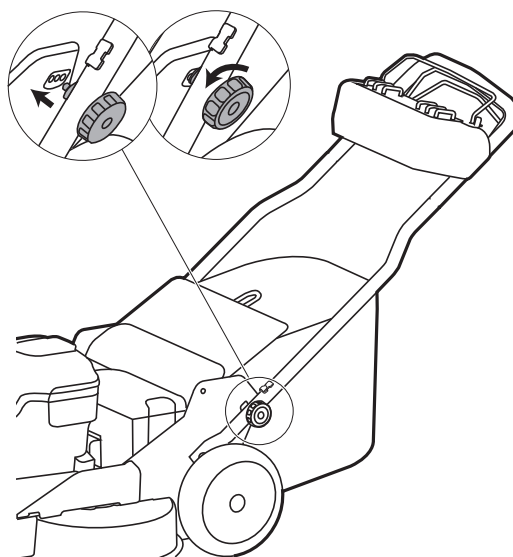
For your personal safety, do not insert battery before the tool is assembled completely.

7.2 INSTALL THE HANDLE

1. Use a pair of scissor to cut the ribbon.
2. Refer to the 'Setting the cutting height' and adjust the machine to the highest cutting position.
3. Align the holes in the bottom of the handle and height adjustment bracket.
4. Put the bolt through the holes and tighten them.
5. Do the same operation on the other side.

i NOTE

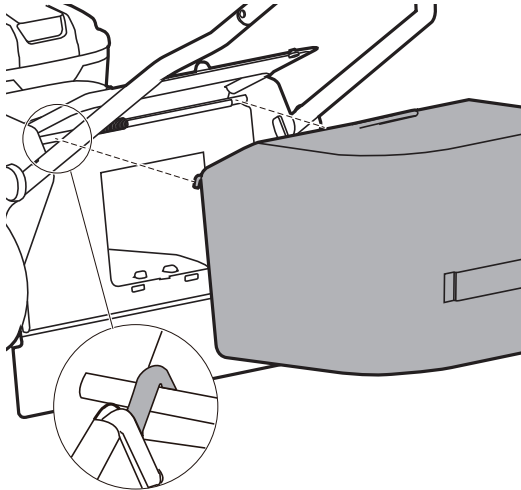
Make sure that the two bolts are in the same position.

7.3 UNFOLD AND INSTALL THE HANDLE

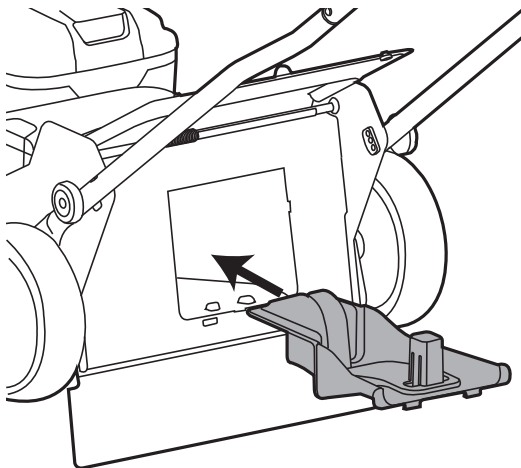
1. Line up the handle knobs in one of the three positions on the brackets.
2. Push the bolt into the slot and rotate clockwise to fasten it.
3. Do the same operation on the other side.

i NOTE

Make sure that the two handle bolts are in the same position.

7.4 INSTALL THE GRASS CATCHER

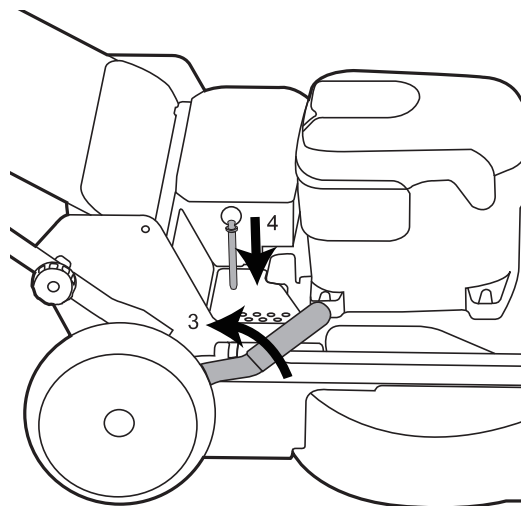
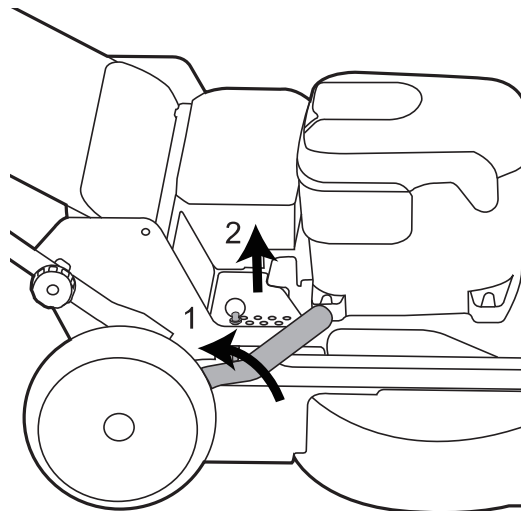
1. Remove the mulch plug.
2. Open the rear discharge door and hold it.
3. Hold the the grass catcher by its handle and engage the hooks on the door rod.
4. Close the rear discharge door.

7.5 INSTALL THE MULCH PLUG

1. Remove the grass catcher.
2. Open the rear discharge door and hold it.
3. Hold the mulch plug by its handle and fit it in the discharge chute.
4. Close the rear discharge door.

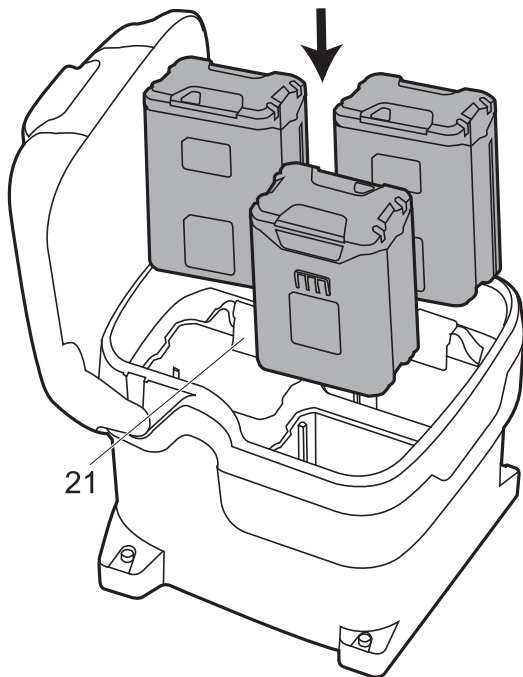
7.6 SET THE CUTTING HEIGHT

The machine can be set to different cutting height.



1. Remove the locating pin by sightly pull the rod backward.
2. Grab the rod and move it backward to raise the height or move it towards to decrease the height.
3. Align the upper and lower holes, then insert the locating pin .

7.7 INSTALL THE BATTERY PACK



⚠ WARNING

- If the battery pack or charger is damaged, replace the battery pack or the charger.
- Stop the machine and wait until the engine stops before you install or remove the battery pack.
- Read, know, and follow the instructions in the battery and charger manual.

1. Open the battery door.
2. Align the ribs on the battery pack with the grooves in the battery compartment.
3. Push the battery pack into the battery compartment until the battery pack locks into place.
4. When you hear a click, the battery pack is installed.
5. Close the battery door.
6. After inserting the battery pack, the battery indicator will turn grey to green.

i NOTE

You can also insert one or two battery packs.

i NOTE

When the battery pack is lower than 16%, the battery indicator will turn red.

i NOTE

When the battery pack is over temperature, temperature indicator will turn red and glitter .

7.8 REMOVE THE BATTERY PACK

1. Open the battery door.
2. Push and hold the battery release button (21).
3. Remove the battery pack from the machine.

8 APP OPERATION

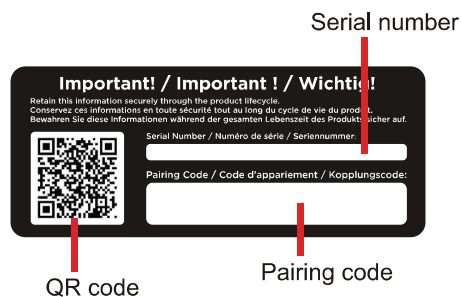
Find the serial number, pairing code and QR code in the quick guide manual.

8.1 REGISTRATION AND LOGIN

1. Visit the website of Fleet Management: fleet.greenworkcommercial.com.
2. Create an account and then log in.
3. Invite other users in your organization.
4. Scan the QR code, download the app and log in.



5. Add a device. Find the serial number, pairing code and QR code in the vehicle matching label on this manual. Scan QR code or type in manually.

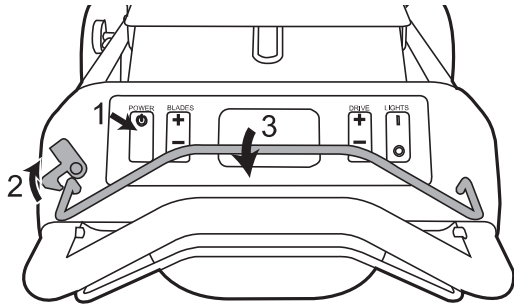


9 OPERATION

⚠ WARNING

Wear eye protection during operation.

9.1 START THE MACHINE



1. Press the power switch once and wait for the display to respond.
2. Push aside the mechanical lock trigger.
3. Grab the bail switch in the direction of the handle bar.

9.2 STOP THE MACHINE

1. Release the bail switch to stop the machine.
2. The machine has one-minute stand-by time. You can continue operating during this period or just press the power switch to shut it down.

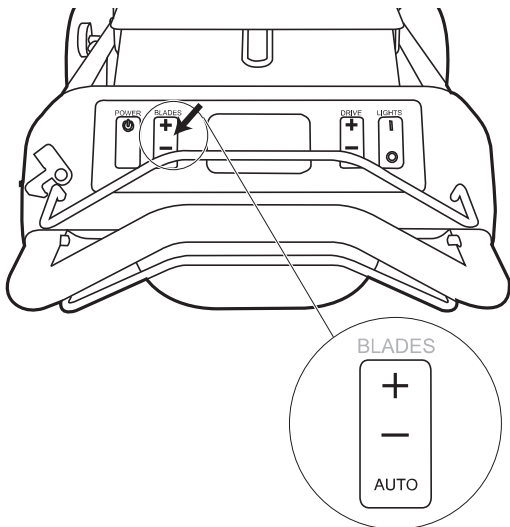
⚠ WARNING

Wait until the blade fully stops before you start the machine again. Do not quickly turn the machine off and on.

⚠ WARNING

Always remove battery pack after you complete the work.

9.3 ADJUSTING THE CUTTING SPEED

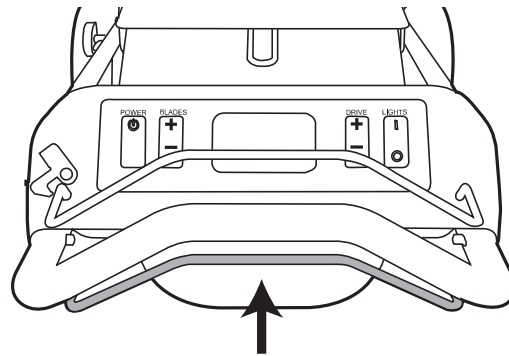


1. Press the cutting speed switch to adjust the cutting speed anytime during your operation.

2. Refer to the table for variable cutting speed.

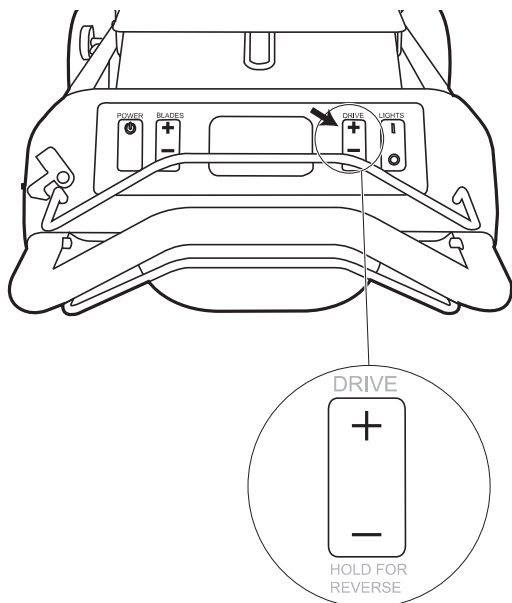
Action	Cutting mode	Panel indicator
Press ' - ' button	Low cutting speed (3500 RPM)	
Press ' + ' button	High cutting speed (4000 RPM)	
Press ' AUTO ' button	Auto adjusting cutting speed (3500 ~ 4000 RPM)	

9.4 OPERATE THE SELF-PROPEL DRIVE SYSTEM



1. Press the power switch once and wait for the display to respond.
2. Grab the self-propel drive levers and pull towards the handle bar.
3. Release the lever to close the self-propel system.

9.5 ADJUSTING THE DRIVE SPEED



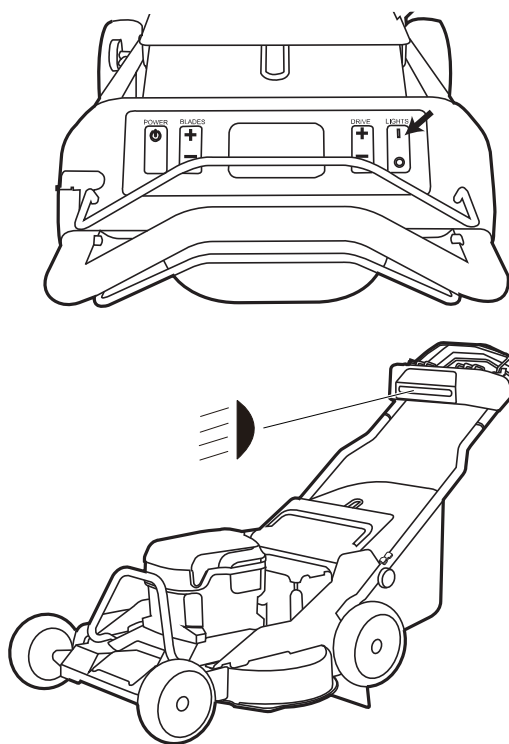
1. Press the drive speed switch to adjust the speed anytime during your operation.
2. Five modes are optional for your preference. Please refer to the table for more details.

Drive mode	Method	Panel indicator
Default drive mode	Start the machine	
Level 2		
Level 3		
Level 4		
Level 5		
Level 6		

Reverse mode	Press '-' for 1.5 second (press '+'/'-' to quit the mode and return to original drive mode)	
--------------	---	------

i NOTE
Press the '+' '-' button once for changing the speed to next mode.

9.6 LED HEADLIGHTS



1. Press the LED switch forward to turn on the LED headlight .
2. Press the switch backward to turn off the LED headlight.

9.7 EMPTY THE GRASS CATCHER

1. Stop the machine.
2. Remove the safety key.
3. Remove the battery pack.
4. Open the rear discharge door and hold it.
5. Hold the grass catcher by its handle and unhook it from the door rod.
6. Close the rear discharge door.
7. Empty the grass catcher.

9.8 OPERATE ON SLOPES

⚠ WARNING

Do not mow on the slopes with incline more than 15°. If you are not comfortable, do not mow on a slope.

⚠ WARNING

Please keep a low self-propelled speed when you mow on a slope.

- Do not go up and down on a slope, mow across the face of the slope. Be careful when you change the direction on a slope.
- Monitor the holes, ruts, rocks, and other hidden objects that can cause you to fall. Remove all obstacles such as rocks and tree limbs.
- Make sure that your footing is stable. If you are out of balance, release the start handle immediately.
- Do not mow near drop-offs, ditches, or embankments.

9.9 OPERATION TIPS

- Do not try to override the operation of the start button or start handles.
- Do not tilt the machine when you start it.
- Do not put hands or feet near or below the turning parts.
- Keep the discharge chute clean.
- Do not cut wet grass.
- Higher blade height is necessary for new or thick grass.
- Clean the bottom of the mower deck after each use. Remove grass clippings, leaves, dirt, and other debris.

10 MAINTENANCE

⚠ WARNING

Remove the safety key and battery pack from the machine before maintenance.

⚠ WARNING

Keep the motor and battery pack free from grass, leaves or too much grease.

⚠ CAUTION

Use only approved replacement parts.

⚠ CAUTION

Do not let brake fluids, gasoline, petroleum-based materials touch the plastic parts. Chemicals can cause damage to the plastic, and make the plastic unserviceable.

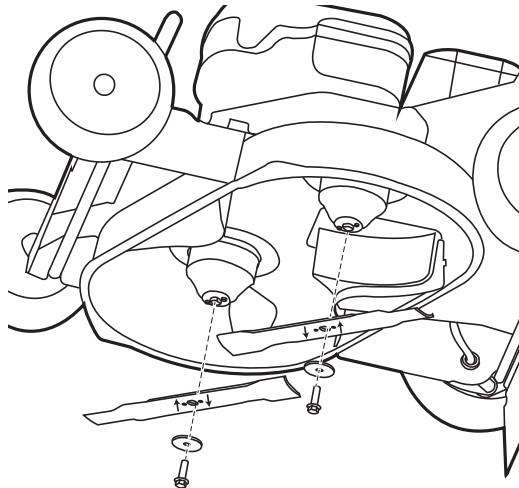
⚠ CAUTION

Do not use strong solvents or detergents on the plastic housing or components.

10.1 GENERAL MAINTENANCE

- Before each use, examine the machine for damaged, missing, or loose parts such as screws, nuts, bolts and caps.
- Tighten correctly all the fasteners and caps.
- Clean the machine with a dry cloth. Do not use water.

10.2 REPLACE THE BLADE



⚠ WARNING

Use only approved replacement blades.

⚠ WARNING

Wear heavy gloves or wind cloth around the blade when you touch the blade.

i NOTE

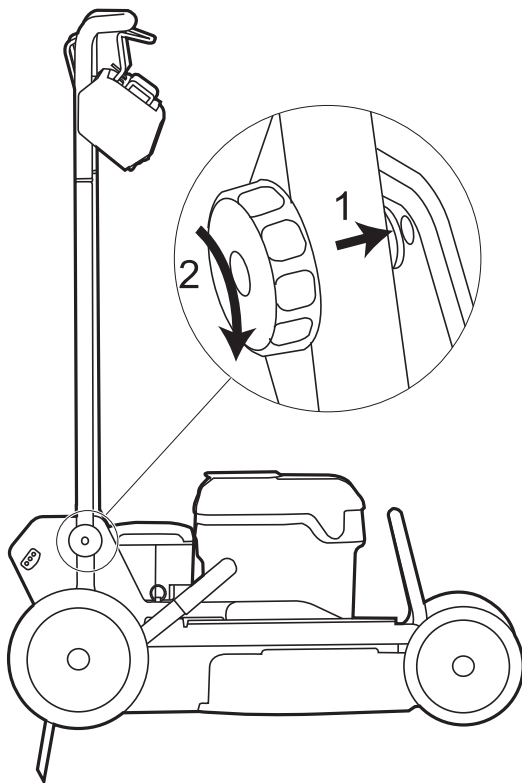
1. Stop the machine.
2. Make sure that the blade is fully stopped.
3. Remove battery packs.
4. Turn the machine to its side.

5. Use a piece of wood to prevent the movement of the blade.
 6. Remove the mounting screw and spacer with a wrench or socket.
 7. Remove the blade.
 8. Install the new blade.
 9. Put in the spacer and tighten the mounting screw. Recommended tightening torque: ft.lbs. N.m.
3. Pull through the handle holes to fold away the handles.
 4. Lock the handles into position.
 5. Stand the machine on end and make sure that the brackets touch the floor.

10.3 STORE THE MACHINE

- Remove the battery pack(s).
- Clean the machine before storage.
- Make sure the motor is not hot when you store the machine.
- Make sure that the machine does not have loose or damaged parts. If it is necessary, follow these instructions:
 - Replace the damaged parts.
 - Tighten the bolts.
 - Speak to a person at an approved service center.
- Store the machine in a dry area.
- Make sure that children cannot come near the machine.

10.4 VERTICAL STORAGE



1. Remove the grass catcher.
2. Remove the battery and safety key.

11 TROUBLESHOOTING

When the machine fails, the control will display a failure code. Please refer to the table for its solution.

Failure code	Problem	Solution
1	SP over-current error.	Shut down SP motor and restart.
2	SP over-heated error.	Waiting for the SP motor to cool down and restart.
3	SP failure.	Replace the SP controller.
4	Blade controller over-current error.	Release blade bail and restart.
5	Blade motor or PCBAs over-heated error.	Waiting for the Blade motor and PCBAs to cool down and restart.
6	Blade controller failure.	Replace the blade controller.
7	PMU failure.	Restart the device. If it doesn't work, Replace the PMU controller.
8	LCD screen error.	Inspect if the input voltage of LCD screen is normal. Or replace the LCD screen.
9	Slave communication error.	Check if the communication cable is disconnected or not. If it's normal, Replace the Controller.
10	SP mainboard internal communication error.	Replace SP controller.
11	SP mainboard over-current error.	Restart the mower. If it doesn't work, replace the SP controller.
12	SP mainboard hall sensor failure.	Replace SP controller.
13	SP external communication error.	Replace SP controller.
14	SP mainboard under-voltage error.	Replace a full charged battery.
15	SP mainboard offset error.	Replace SP controller.
16	SP mainboard MOS error	Replace SP controller.
17	SP mainboard over-voltage error	Restart the device. If it doesn't work, Replace the SP controller.
18	SP mainboard stuck error.	Restart the device. If it doesn't work, Replace the SP controller or replace the hub motor wheel.
19	SP mainboard over heated error.	Shut down to cool the device and restart.
20	SP mainboard phase failure error.	Replace SP controller.
21	SP slave board internal communication error.	Replace SP controller.
22	SP slave board over-current error.	Turn off the mower to clear the error to restart. If the errors occur frequently, Replace the SP controller.
23	SP slave board hall sensor error.	Replace SP controller.
24	SP slave board under-voltage error.	Replace a full charged battery.
25	SP slave board offset error.	Replace SP controller.
26	SP slave board MOS error.	Replace SP controller.
27	SP slave board stuck error.	Restart the device. If it doesn't work, Replace the SP controller or replace the hub motor wheel.

Failure code	Problem	Solution
28	SP slave board Heat error.	Restart the device. If it doesn't work, Replace the SP controller.
29	SP slave board phase failure error.	Replace SP controller.
30	SP slave board other error.	Replace SP controller.
40	Blade motor stuck.	Turn off the mower and check if the motor rotor is locked or not.
41	Blade motor out of step.	Release the bail and restart the mower. If the failure is still occurred, replace the blade motor controller.
42	Blade motor phase failure.	Check if the terminals between the controller and the motor is loosed.
43	Blade motor low speed protection.	Release the bail to clear the error.
44	Blade motor over heated protection.	Turn off the blade to cool.
45	Blade motor restart failure.	In case of repeated restart failures, replace the blade motor controller.
46	Blade motor controller first stage over current.	Release the lever to clear the fault. Restart the blade again after the equipment is under light load. If the fault continues to be reported, replace the cutter driver.
47	Blade motor controller second stage over current.	Release the lever to clear the fault. Restart the blade again after the equipment is under light load. If the fault continues to be reported, replace the cutter driver.
48	Blade motor controller third stage over current.	Release the lever to clear the fault. Restart the blade again after the equipment is under light load. If the fault continues to be reported, replace the cutter driver.
49	Blade motor controller four stage over current.	Release the lever to clear the fault. Restart the blade again after the equipment is under light load. If the fault continues to be reported, replace the cutter driver.
50	Blade motor controller peak over current.	Release the bail and restart the mower. If the failure is still occurred, replace the blade motor controller.
51	Blade controller short circuit.	Replace the blade motor controller.
52	Low voltage of cutting bus.	Check if the input voltage of the blade motor controller is under voltage.
53	High voltage of cutting bus.	Check if the input voltage of the blade motor controller is over voltage.
54	Blade motor controller MOS over heated.	Stop the machine and restart it after the MOS cools down. If the fault cannot be eliminated, replace the blade motor controller.

Failure code	Problem	Solution
55	Blade motor controller Software authentication exception.	Replace the blade motor controller.
56	Blade motor controller inspection failure.	Replace the blade motor controller.
57	Blade motor internal communication error.	Replace the blade motor controller.
58	Blade motor external communication error.	Replace the blade motor controller.
59	Blade slave motor stuck error.	Turn off the mower and check if the motor rotor is locked or not.
60	Blade slave motor out of step.	Release the bail and restart the mower. If the failure is still occurred, replace the blade motor controller.
61	Blade slave motor phase failure.	Check if the terminals between the controller and the motor is loosed.
62	Blade slave motor low speed protection.	Release the bail to clear the error.
63	Blade slave motor over heated protection.	Turn off the blade to cool.
64	Blade slave motor restart failure.	In case of repeated restart failures, replace the blade motor controller.
65	Blade slave motor controller first stage over current.	Release the lever to clear the fault. Restart the blade again after the equipment is under light load. If the fault continues to be reported, replace the cutter driver.
66	Blade slave motor controller second stage over current .	Release the lever to clear the fault. Restart the blade again after the equipment is under light load. If the fault continues to be reported, replace the cutter driver.
67	Blade slave motor controller third stage over current .	Release the lever to clear the fault. Restart the blade again after the equipment is under light load. If the fault continues to be reported, replace the cutter driver.
68	Blade slave motor controller four stage over current.	Release the lever to clear the fault. Restart the blade again after the equipment is under light load. If the fault continues to be reported, replace the cutter driver.
69	Blade slave motor controller peak over current.	Release the bail and restart the mower. If the failure is still occurred, replace the blade motor controller.
70	Blade slave controller short circuit.	Replace the blade motor controller.
71	Blade slave motor controller MOS over heated.	Stop the machine and restart it after the MOS cools down. If the fault cannot be eliminated, replace the blade motor controller.
72	Blade slave motor controller Software authentication exception.	Replace the blade motor controller.
73	Blade slave motor controller inspection failure.	Replace the blade motor controller.


Failure code	Problem	Solution
80	PMU over heated.	The equipment is automatically powered off and can be used again after cooling.
81	PMU under voltage.	Charge the battery.
82	PMU over voltage.	Restart the mower.
83	PMU mean over current.	The equipment is powered off and restarted. If the fault cannot be eliminated, check whether the PMU or the rear motor drive board is short circuited. Replace the PMU or the motor drive board.
84	PMU peak over current.	The equipment is powered off and restarted. If the fault cannot be eliminated, check whether the PMU or the rear motor drive board is short circuited. Replace the PMU or the motor drive board.
85	The feedback current of PMU battery pack is too large. (This fault code is only used for fault prompt of parallel discharge board)	Restart the mower. If it doesn't work, replace the SP controller.
86	PMU BMS controller MOS over heated.	Turn off the mower to cool the controller and restart it.
87	Disconnected communication between the PMU and motor controller.	Release the bail and restart the mower. If the failure is still occurred, replace the PMU controller or blade motor controller.
88	PUM external communication error.	Release the bail and restart the mower. If the failure is still occurred, replace the PMU controller or blade motor controller.
89	BAT 1 over-heated error.	Shut down and restart after the battery pack cools down. If the problem cannot be solved, consider replacing the battery pack.
90	BAT1 low temperature.	If the working environment temperature of the equipment meets the low temperature working environment of the battery pack, it is necessary to consider replacing the battery pack.
91	BAT1 under voltage.	Recharge the battery.
92	BAT1 communication error.	Replace new battery.
93	BAT1 unbalanced discharge.	Replace new battery.
94	BAT1 NTC failure.	Replace new battery
95	BAT1 communication interruption.	Replace new battery
96	BAT1 other failure.	Replace new battery
97	BAT 2 over-heated error.	Shut down and restart after the battery pack cools down. If the problem cannot be solved, consider replacing the battery pack.
98	BAT2 low temperature.	If the working environment temperature of the equipment meets the low temperature working environment of the battery pack, it is necessary to consider replacing the battery pack.

Failure code	Problem	Solution
99	BAT2 under voltage.	Recharge the battery.
100	BAT2 communication error.	Replace new battery.
101	BAT2 unbalanced discharge.	Replace new battery.
102	BAT2 NTC failure.	Replace new battery.
103	BAT2 communication interruption.	Replace new battery.
104	BAT2 other failure.	Replace new battery.
105	BAT 3 over-heated error.	Shut down and restart after the battery pack cools down. If the problem cannot be solved, consider replacing the battery pack
106	BAT3 low temperature.	If the working environment temperature of the equipment meets the low temperature working environment of the battery pack, it is necessary to consider replacing the battery pack.
107	BAT3 under voltage.	Recharge the battery.
108	BAT3 communication error.	Replace new battery.
109	BAT3 unbalanced discharge.	Replace new battery.
110	BAT3 NTC failure.	Replace new battery.
111	BAT3 communication interruption.	Replace new battery.
112	BAT3 other failure.	Replace new battery.

* If you cannot find the solution to these problems, go to the service center.

12 TECHNICAL DATA

Voltage	82 V
Battery model	82BD250/82BD400/82BD500/82BD800 and other Greenworks Commercial 82V series
Charger model	82DPC8A/82CH62K and other Greenworks Commercial 82V series
No load speed	3500RPM/4000RPM
Height adjustments	1.5 - 5" (3.8 - 12.5 cm)
Self-propelled speed	1.7 - 6 fps (0.5 - 1.8 m/s)
Self-propelled speed (reverse mode)	1.3 fps (0.4 m/s)
Functions	2-in-1 Mulch & Rear Bag

Weight (without battery pack)	183 lbs (83 kg)
Double-insulated construction	
IPX	IPX5

13 LIMITED WARRANTY



Greenworks Commercial hereby warranties this product, to the original purchaser with proof of purchase, 2-year commercial power train warranty, 2-year commercial battery warranty against defects in materials, parts or workmanship. Greenworks Commercial, at its own discretion will repair or replace any and all parts found to be defective, free of charge to the customer. This warranty is valid only for units

which have been used for personal or commercial use and that have been maintained in accordance with the instructions in the owners' manual supplied with the product from new.

2-YEAR LIMITED POWER TRAIN WARRANTY COVERAGE:

- Motor
- PCB Boards
- Gear Box
- 2 years from the date of purchase (non transferable)

2-YEAR LIMITED BATTERY WARRANTY COVERAGE:

- Greenworks Commercial Battery Packs (82BD250, 82BD400, 82BD500, 82BD800 and other 82BD or GL series)
- 2 year from the date of purchase (non transferable)

60-DAY LIMITED WEARABLE PARTS WARRANTY COVERAGE:

- Bars
- Blades
- Guards
- Chains
- Bump Feed Heads
- Tines
- Auger Bit
- Adaptor
- Extender
- 60 Days from date of purchase (non transferable)

WARRANTY EXCLUSIONS, LIMITATIONS AND RIGHTS:

1. All warranties may not be transferred by the consumer to any subsequent purchaser.
2. Parts or components not supplied by the warrantor, or parts or components that have been modified.
3. Any failure resulting from the use of improper tools or improper repair procedures.
4. Any failure resulting from the use of improper tools or improper repair procedures.
5. Any failure or part that has become inoperative due to accident, impact, abuse, misuse, neglect, mishandling, dulling of cutting edges, or failure to operate the product in accordance with the information provided in the instruction manual supplied with the product.
6. Routine maintenance items such as lubricants, blade sharpening.

7. The unit, if it has not been operated and/or maintained in accordance with the owner's manual.

GREENWORKS HELPLINE:

Warranty service is available by calling our toll-free helpline, at 1-855-470-4267.

TRANSPORTATION CHARGES:

Transportation charges for the movement of any power equipment unit or attachment are the responsibility of the purchaser. It is the purchaser's responsibility to pay transportation charges for any part submitted for replacement under this warranty unless such return is requested in writing by Greenworks Commercial.

USA address:

Greenworks Tools
P.O. Box 1238, Mooresville, NC 28115

Mexico address:

TECNOLOGIA CAMPO Y JARDIN S.A. DE C.V.
ADMINISTRADORES 5336 A COL. ARCOS DE
GUADALUPE, ZAPOPAN, JALISCO C.P. 45037

www.greenworkscommercial.com 



greenworks
COMMERCIAL

P0804725-00 Rev A